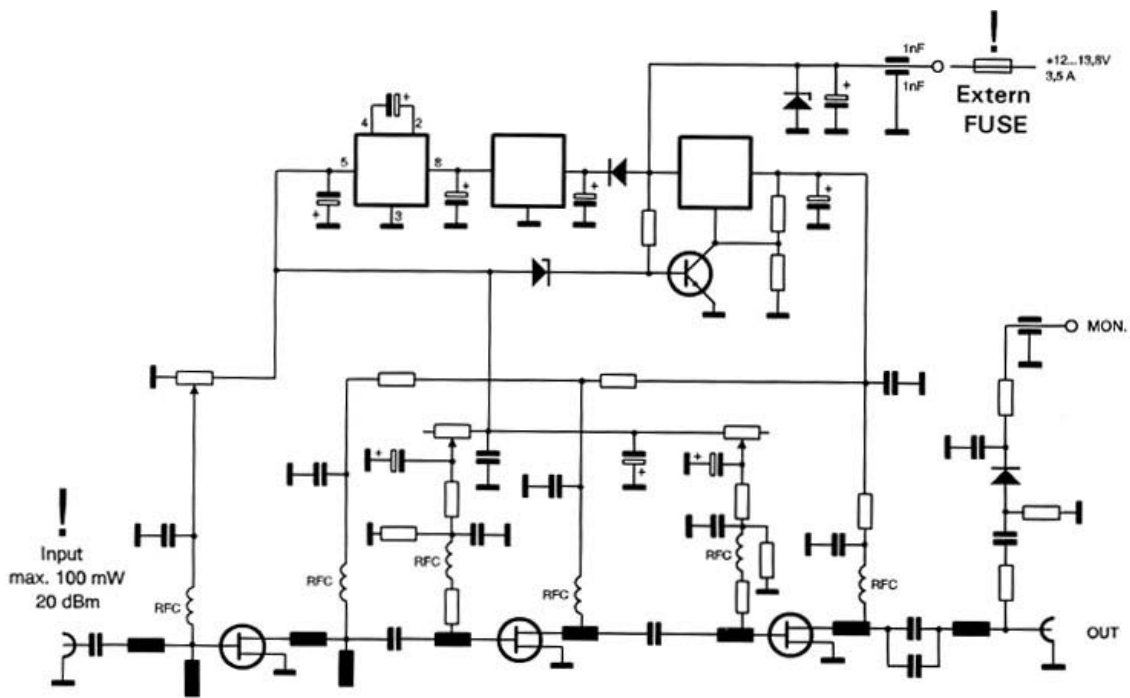


ZH-1227HP LABORATORY UHF AMPLIFIER FROM 1200 MHz- 2700 MHz

This is a broadband amplifier for labs or testing purposes. This amplifier is excellent for UHF band 1200 MHz to Microwave frequencies - 2700 MHz. The gain is over 33 dB. The maximum power is 10 W. Minimum required driving power is 50 mW. This amplifier can be used for analog or digital applications since the linearity is excellent. It comes assembled, tested with a large heatsink. Dimensions: 3.5 " X 8.5 " X 2 ".
10 W OUT WITH ONLY 45 mW DRIVING



Specification	
Frequency:	2350 MHz
Output @ 50 mW	72.6 W
Harmonic wave suppression type	> - 24 dBc
SWR of load	Better min 1,8 = 10 dB RL
DC Input power	12...13,8 V DC
I max:	3,3 A